

CEDUNA NAUTICAL BULKHEAD LIGHT

INSTALLATION INSTRUCTIONS

Rev. 2 (07/17)

WARNING

Installation of lights and electrical work may present a possible shock or fire hazard if improperly installed or used. All electrical work should be performed in accordance with all federal, state and local safety regulations and require proper grounding. All work should be performed by a certified electrician. Before starting installation, turn OFF electricity at the main fuse or circuit breaker that controls the power to the fixture/room you are working on.

Congratulations on purchasing your new quality lighting fixture from Cocoweb.com. If you have any questions about these instructions or are missing any parts, please call us at 888-783-0378 or visit our website at www.cocoweb.com.

IMPORTANT SAFETY INSTRUCTIONS:

- Do not use with damaged electrical cords.
- Never overload electrical circuits as it may cause electrical shock or fire.
- Do not look directly into the light source.

CARE INSTRUCTIONS:

DO NOT use abrasive or chemical cleaners to clean the light as it may damage the finish. Use only warm water, then wipe dry with a clean soft cloth.

TROUBLESHOOTING AND REPAIR:

Check for damaged or worn parts before installation. Broken or damaged parts will affect the products operation. Replace or repair damaged or worn parts immediately. Should the light stop working properly and/or one of the following problems occur: (1) The lamp fails to turn on (2) The lamp flickers (3) The lamp dims to an unusual level, check all connections and then turn the lamp back on. If the problem persists, disconnect the lamp and contact Cocoweb customer service.

COCOWEB LIMITED WARRANTY:

Cocoweb.com warrants its products to be made of first class materials, free from defects of material or workmanship under normal use and to perform the service for which they are intended in a reliable and efficient manner when properly installed, for a period of two years from the date of purchase. During the warranty period, Cocoweb.com will, at its choice, repair or replace any part or parts which prove to be defective if returned to Cocoweb.com. NOTE: Modification of product in any way will void the warranty.

CAUTION

Please read this entire manual before installation and use of fixture.

IMPORTANT - Observe all local governing codes and ordinances.

IMPORTANT - Save these instructions for later use.



Danger of suffocation
Keep children away from packaging

CEDUNA NAUTICAL BULKHEAD LIGHT

INSTALLATION INSTRUCTIONS

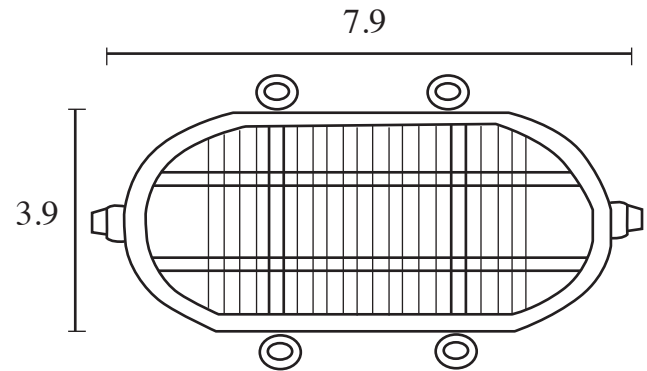
Rev. 2 (07/17)

WARNING

Installation of lights and electrical work may present a possible shock or fire hazard if improperly installed or used. All electrical work should be performed in accordance with all federal, state and local safety regulations and require proper grounding. All work should be performed by a certified electrician. Before starting installation, turn OFF electricity at the main fuse or circuit breaker that controls the power to the fixture/room you are working on.

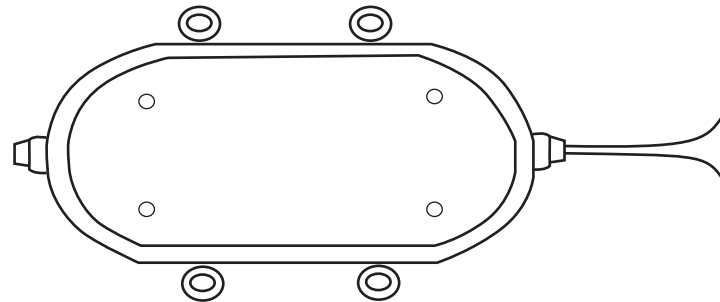
INSTALLATION GUIDE:

1. Unscrew the wing nuts by turning counter clockwise and remove the glass.
2. Insert Bulb and tighten clockwise until it is securely fastened.
3. Make sure the wiring is properly threaded through out the side of the fixture.
4. Replace glass then screw in the wing nuts clockwise.



WIRING INSTRUCTIONS:

1. Strip power cord to desired length.
2. Connect the WHITE (Neutral) wire from the accessory to the WHITE (Neutral) wire from the junction box.
3. Connect the BLACK (Live) wire from the accessory to the BLACK (Live) wire from the junction box.



Danger of suffocation
Keep children away from packaging