

22" BATTERY OPERATED LED GRAND PIANO LAMP (GPLEDV-22D-BP4)

USER MANUAL

Rev. 2 (03/17)

WARNING

Make sure the light toggle switch is in the OFF position before plugging in the piano lamp to the Battery Pack. Use the toggle switch on the lighting fixture or a properly installed wall switch to toggle the piano lamp ON and OFF. Plugging and unplugging the lamp can drastically reduce the life of the Lamp and may cause it to malfunction.

Congratulations on purchasing your new quality lighting fixture from Cocoweb.com, Inc. If you have any questions about these instructions or are missing any parts, please call us at 888-783-0378 or visit our website at www.cocoweb.com.

PACKAGE CONTENTS:

- 22-inch LED Clip-on Grand Piano Lamp
- 6V .4A DC Power Adapter
- Mounting Clamp Assembly
- 4 Battery Pack & Remote

IMPORTANT SAFETY INSTRUCTIONS:

- Do not place near any extreme heat or in direct sunlight.
- Place on an even and secure surface.
- Use only the supplied power adapter and dimming controller.
- Do not use with damaged electrical cords.
- Keep the lamp dry and clean.
- Never overload electrical circuits as it may cause electrical shock or fire.
- For use in indoor dry rooms only. Not suitable for damp rooms.
- Do not look directly into the light source.

CARE INSTRUCTIONS:

DO NOT use abrasive or chemical cleaners to clean the piano lamp as it may damage the finish. Use only warm water, then wipe dry with a clean soft cloth.

LED ARRAY REPLACEMENT:

The LED array is rated to last 50,000 hours. Should the LED bulbs cease to function in the warranty period, Cocoweb will replace the LED array free of charge. Cocoweb may at its choice, send a replacement LED array or request for the whole lamp to be shipped to a Cocoweb location or authorized dealer. Shipping and handling charges may be incurred. After the 2 year warranty period, you may purchase a replacement LED array by contacting Cocoweb customer service.

TROUBLESHOOTING AND REPAIR:

Should the lamp stop working properly and/or one of the following problems occur: (1) The lamp fails to turn on (2) The lamp flickers (3) The lamp dims to an unusual level, turn the lamp off using the toggle switch, recheck all connections and then turn the lamp back on. If the problem persists, discontinue use of lamp and contact Cocoweb customer service.

COCOWEB LIMITED WARRANTY:

Cocoweb.com, Inc. warrants its lamps to be made of first class materials, free from defects of material or workmanship under normal use and to perform the service for which they are intended in a reliable and efficient manner when properly installed, for a period of two years from the date of purchase. During the warranty period, Cocoweb.com, Inc. will, at its choice, repair or replace any part or parts which prove to be defective if returned to Cocoweb.com, Inc.. NOTE: Modification of piano lamp in any way will void the warranty.

SPECIFICATIONS:

- Fits 3/8" - 1 1/2" piano boards
- 22" swivelable shade
- Pre-installed natural light LED array
- Light array contains 12 evenly spaced LED nodes
- Toggle on/off switch located on the lamp shade
- LED lifespan: 50,000 hours
- Color temperature: 2700 K
- Power Usage: Less than 10 watts
- 40 Hour Battery Life
- UV and Infrared-free LED technology
- Wireless Remote for Dimming

 **Danger of suffocation**
Keep children away from packaging

22" BATTERY OPERATED LED GRAND PIANO LAMP (GPLEDV-22D-BP4)

USER MANUAL

WARNING

Make sure the light toggle switch is in the OFF position before plugging in the piano lamp to the Battery Pack. Use the toggle switch on the lighting fixture or a properly installed wall switch to toggle the piano lamp ON and OFF. Plugging and unplugging the lamp can drastically reduce the life of the Lamp and may cause it to malfunction.

STEP 1: ATTACH MOUNTING CLAMP TO THE LAMP ARM

1. Remove the screw and cover from the mounting clamp
2. Insert the lamp arms into the mounting clamp assembly and replace the cover and screw.

STEP 2: MOUNT THE LAMP ONTO THE PIANO BOARD OR MUSIC STAND

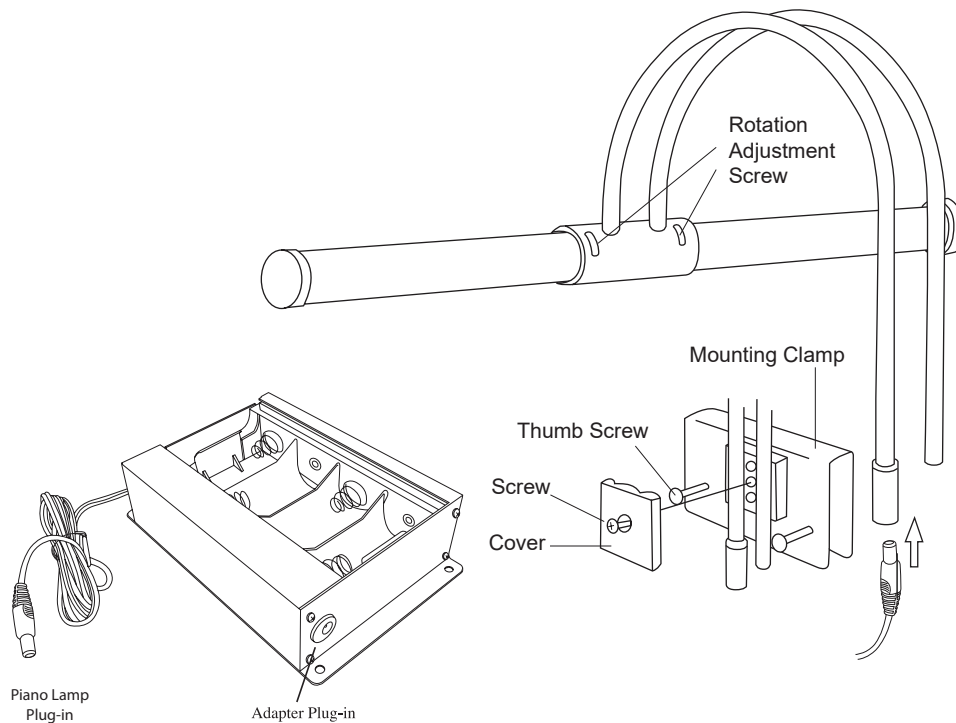
1. Loosen the two thumbscrews.
2. Mount the mounting clamp onto a piano board or music stand

Note You may have to manually adjust the opening of the mounting clamp if you have a thinner/thicker piano board.

3. Tighten the two thumbscrews making sure the lamp is securely fitted to the piano board or music stand.

STEP 3: Plug in the Battery Pack to the bottom of the lamp.

STEP 4: Insert 4 D Batteries into the Battery Pack.



LIGHT CONTROLS

1. The ON/OFF toggle switch is pre-installed on the lamp shade. Simply toggle the switch to the right to turn the lamp on.
 2. The light level can be brightened and dimmed by pressing the + & - buttons on the remote.
- The piano lamp can be toggled on/off using remote or toggle switch. If the light is not working, make sure both are toggled on

22" BATTERY OPERATED LED GRAND PIANO LAMP (GPLEDV-22D-BP4)

USER MANUAL

IMPORTANT

For best operation, use this remote within 30 feet of the receiver. The remote will automatically go into a sleep mode after 8 seconds of inactivity. Press the POWER button or the + / - key to deactivate sleep mode.

CONNECTING YOUR REMOTE TO THE PIANO LAMP


Step 1 : Remove the cover on the back of the remote and install the included 12V battery.


Step 2 : Press and hold the learn button on the remote (located next to the battery slot).

Once the piano lamp has learned the ID code the light will power off momentarily and then flash three times. This will indicate the remote has been successfully paired.

* If step 2 is not finished within 30 seconds, the learning process will not be successful, and must be restarted by removing the batteries in the piano lamp.

REMOTE FUNCTIONS

 POWER BUTTON : Turn the light ON/OFF.

 BRIGHTNESS UP : Press and hold to slowly increase the brightness up to 100%

 BRIGHTNESS DOWN : Press and hold to slowly reduce the brightness down to 10%.

- 1** ONE HOUR TIMER : The piano lamp will increase or decrease in brightness by 30%, depending on current setting, then will gradually change back to default level, and automatically turn off after 1 hour.
- 2** TWO HOUR TIMER : The piano lamp will increase or decrease in brightness by 30%, depending on current setting, then will gradually change back to default level, and automatically turn off after 2 hours.
- 3** THREE HOUR TIMER : The piano lamp will increase or decrease in brightness by 30%, depending on current setting, then will gradually change back to default level, and automatically turn off after 3 hours.
- 6** SIX HOUR TIMER : The piano lamp will increase or decrease in brightness by 30%, depending on current setting, then will gradually change back to default level, and automatically turn off after 6 hours.