

# BARN LIGHT LAMP POST INSTALLATION INSTRUCTIONS

Rev. 1 (09/17)

## **WARNING**

Installation of lights and electrical work may present a possible shock or fire hazard if improperly installed or used. All electrical work should be performed in accordance with all federal, state and local safety regulations and require proper grounding. All work should be performed by a certified electrician. Before starting installation, turn OFF electricity at the main fuse or circuit breaker that controls the power to the fixture/room you are working on.

Congratulations on purchasing your new quality lighting fixture from Cocoweb.com. If you have any questions about these instructions or are missing any parts, please call us at 888-783-0378 or visit our website at [www.cocoweb.com](http://www.cocoweb.com).

## **IMPORTANT SAFETY INSTRUCTIONS:**

- Do not use with damaged electrical cords.
- Never overload electrical circuits as it may cause electrical shock or fire.
- Do not look directly into the light source.

## **CARE INSTRUCTIONS:**

**DO NOT** use abrasive or chemical cleaners to clean the light as it may damage the finish. Use only warm water, then wipe dry with a clean soft cloth.

## **TROUBLESHOOTING AND REPAIR:**

Check for damaged or worn parts before installation. Broken or damaged parts will affect the products operation. Replace or repair damaged or worn parts immediately. Should the light stop working properly and/or one of the following problems occur: (1) The lamp fails to turn on (2) The lamp flickers (3) The lamp dims to an unusual level, check all connections and then turn the lamp back on. If the problem persists, disconnect the lamp and contact Cocoweb customer service.

## **COCOWEB LIMITED WARRANTY:**

Cocoweb.com warrants its products to be made of first class materials, free from defects of material or workmanship under normal use and to perform the service for which they are intended in a reliable and efficient manner when properly installed, for a period of two years from the date of purchase. During the warranty period, Cocoweb.com will, at its choice, repair or replace any part or parts which prove to be defective if returned to Cocoweb.com. NOTE: Modification of product in any way will void the warranty.

## **CAUTION**

**Please read this entire manual before installation and use of fixture.**

**IMPORTANT - Observe all local governing codes and ordinances.**

**IMPORTANT - Save these instructions for later use.**



**Danger of suffocation**  
Keep children away from packaging

# **BARN LIGHT LAMP POST** **INSTALLATION INSTRUCTIONS**

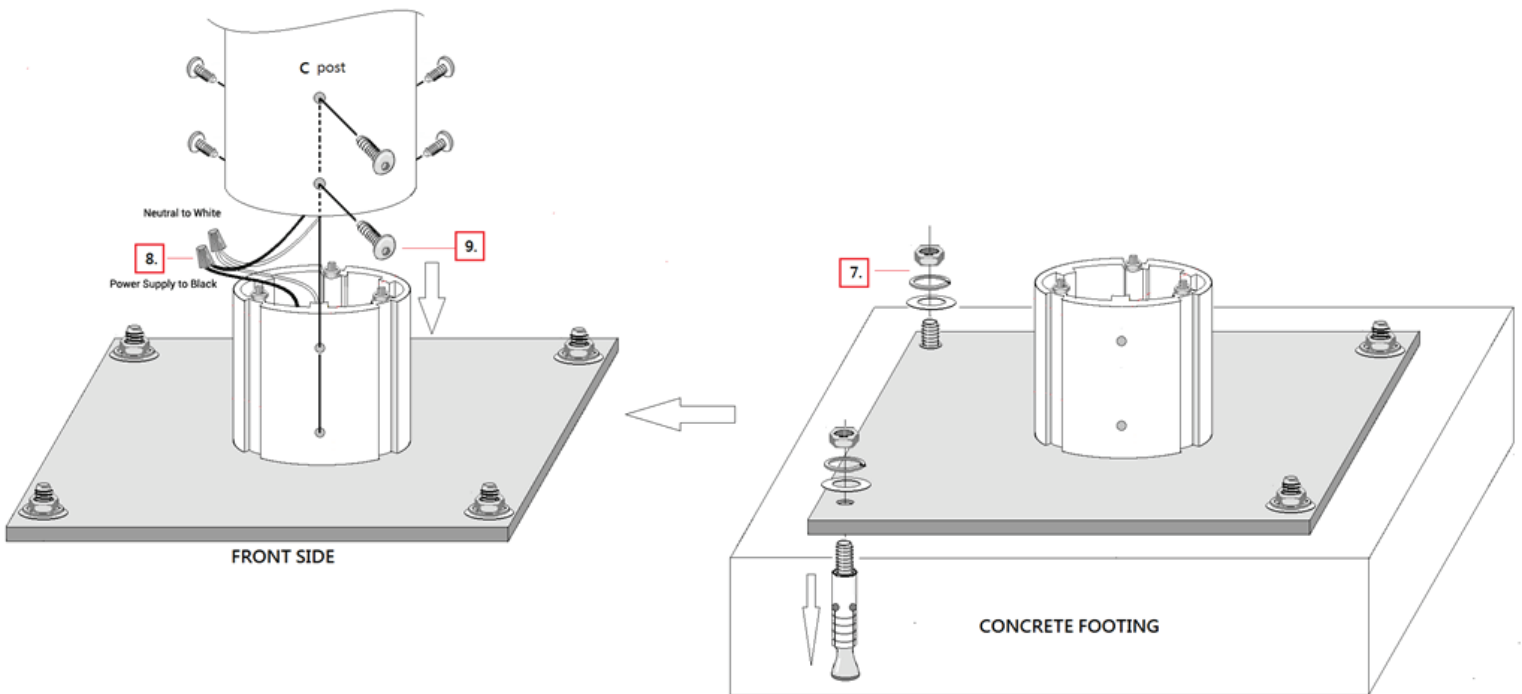
## **WARNING**

Installation of lights and electrical work may present a possible shock or fire hazard if improperly installed or used. All electrical work should be performed in accordance with all federal, state and local safety regulations and require proper grounding. All work should be performed by a certified electrician. Before starting installation, turn OFF electricity at the main fuse or circuit breaker that controls the power to the fixture/room you are working on.

**Note** This installation instruction do not cover trench, conduit and footer installations. These are assume to be already installed

### **STEP 1: PREPARING WIRING:**

- a. Install the post base using the included 4x screw anchors floor plate.
- b. Feed the wiring from the pole through the front opening of the floor plate.
- c. Remove excess wiring and strip both ends of the wire, keeping approximately 4 inches out from the base.
- d. Use wire nuts to connect black (live) wire from the power supply to the brown wire from the lamp.
- e. Use the wire nuts to connect white (neutral) wire from the power supply to the blue wire from the lamp
- f. Attach Arm to Post C with the six (6) set screws (1/4" x 3/8") using a 1/8" allen wrench.



# BARN LIGHT LAMP POST INSTALLATION INSTRUCTIONS

## WARNING

Installation of lights and electrical work may present a possible shock or fire hazard if improperly installed or used. All electrical work should be performed in accordance with all federal, state and local safety regulations and require proper grounding. All work should be performed by a certified electrician. Before starting installation, turn OFF electricity at the main fuse or circuit breaker that controls the power to the fixture/room you are working on.

**Note** Lamp post purchase does not include shade.

### **STEP 1: SET UP THE LIGHT:**

- a. Fasten the arm firmly into the shade. (Teflon tape is recommended for outdoor installation)

### **STEP 2: PREPARING WIRING:**

- b. Feed the wiring from the shade through arm to post A.
- c. Remove excess wiring and restrip ends, keeping approximately 4 inches out from the arm.

### **STEP 3: WIRING INSTRUCTIONS:**

- d. Use wire nuts to connect the brown LED driver wire to the brown LED wire from the shade, and the blue LED driver wire to the blue LED wire from the shade. (output wires).
- e. Use wire nuts to connect the power supply to the black wire and the neutral wire to the white wire (input wires).

### **STEP 4: INSTALL POST:**

- f. Feed the wire through the post.
- g. Attach Arm to Post A with the three (3) set screws (1/4" x 3/8") and 1/8" allen wrench.
- h. Repeat steps f and g for the remaining Posts.

